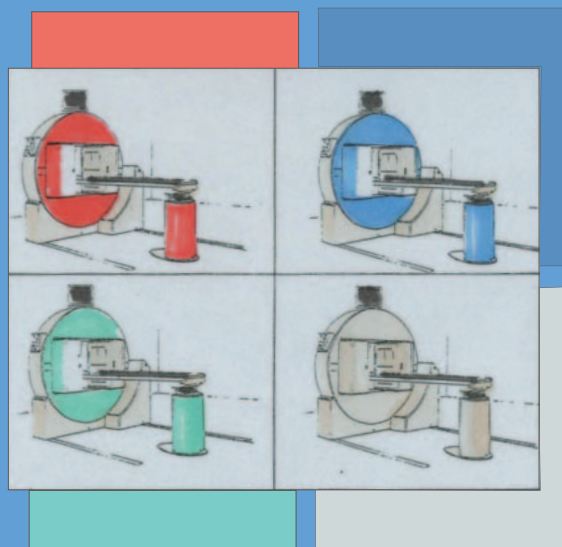
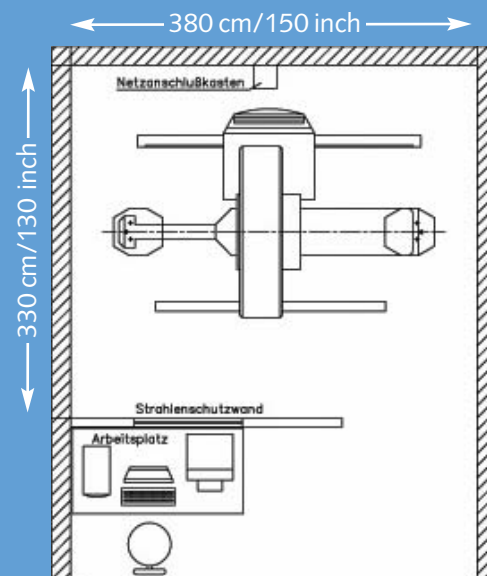


## Odyssey™ Nuclear Computer

The outreaching attributes of the **Prism 1000 XP™** and **Prism 2000 XP™** are combined with the world-wide used **Odyssey™** computer software.  
Available in a number of variants of equipment, with integration in HIS, RIS and PACS environments.



### Space Requirement



### Individual Design

The colour design of your **Prism 1000 XP™** or **Prism 2000 XP™** is freely selectable.

### Technical Details

	Wide (cm/inch)	Length (cm/inch)	Height (cm/inch)	Weight (kg/lb.)
<b>Prism 1000 XP</b> with table	192 cm/76 inch	298 cm/117 inch	203 cm/80 inch	1366 kg/3012 lb.
<b>Prism 2000 XP</b> with table	192 cm/76 inch	298 cm/117 inch	203 cm/80 inch	1581 kg/3485 lb.
Collimator Server	81 cm/32 inch	71 cm/28 inch	137 cm/54 inch	60 kg/132 lb.
Collimator Storer	66 cm/26 inch	64 cm/25 inch	135 cm/54 inch	71 kg/157 lb.



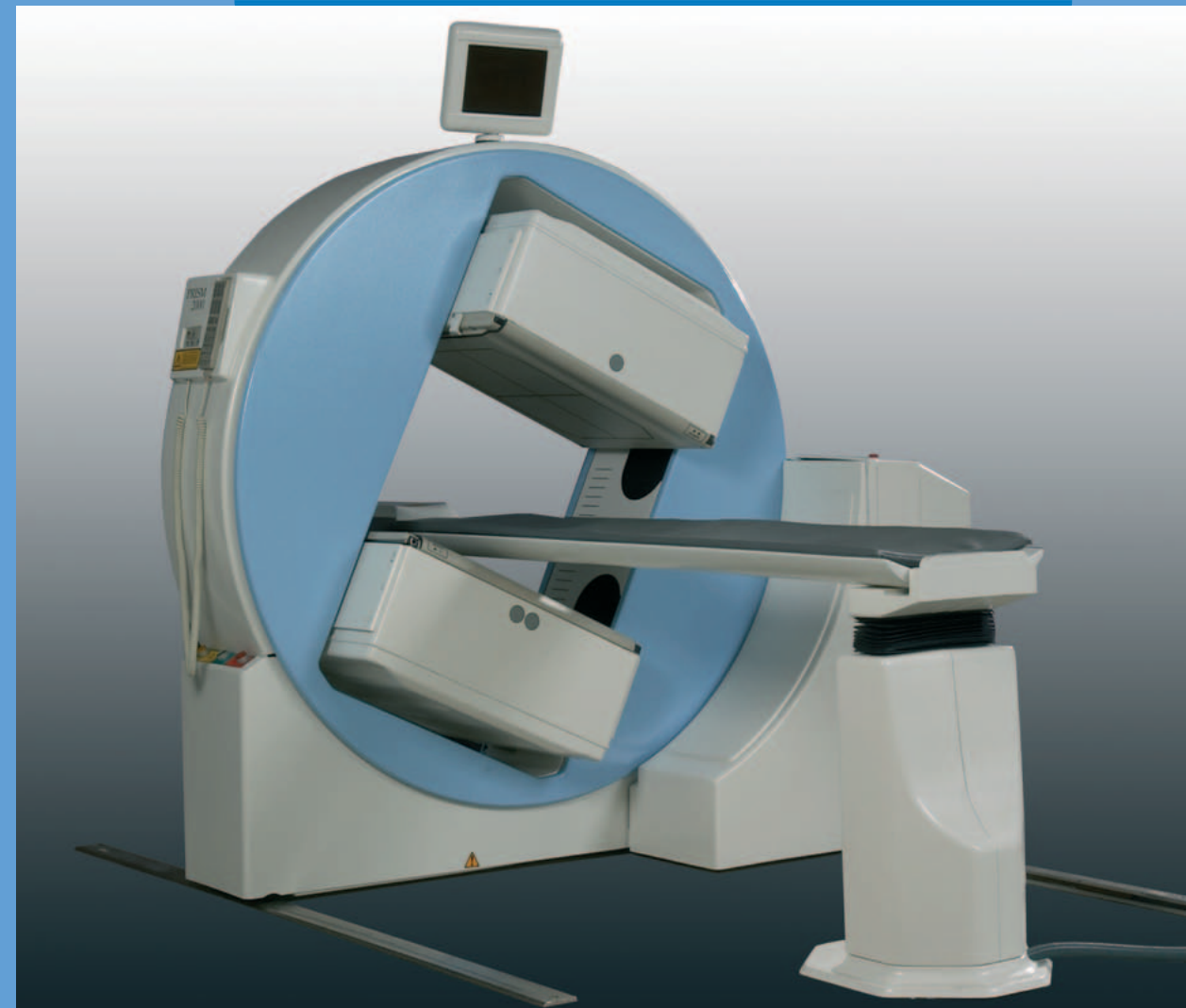
**Medizintechnik GmbH**

**Prism, Prismath** and **Odyssey** are incorporated trademarks of Picker/ Marconi.  
Specifications subject to change without notice.

Daimlerstraße 34-36  
D-32312 Lübbecke  
Email: Contact@IntMed.de  
Tel. +49 57 41 23 59-0  
Fax +49 57 41 23 59-10  
Web: www.IntMed.de

[www.IntMed.de](http://www.IntMed.de)

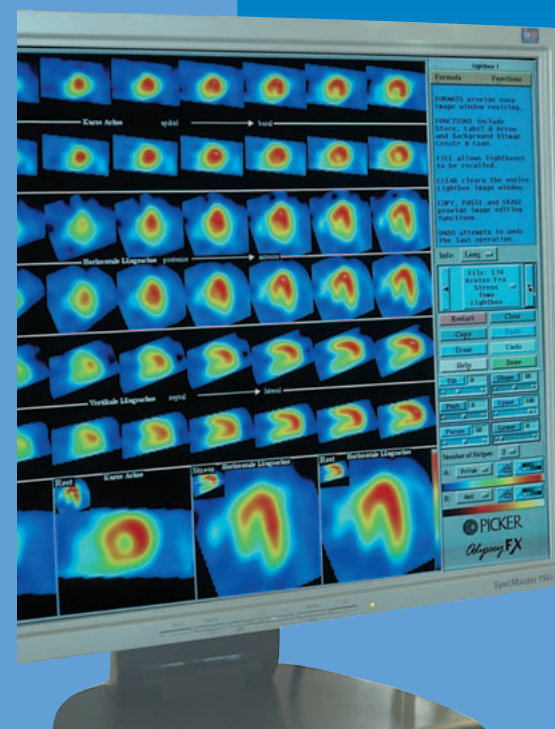
# Prism 1000 XP



Version March 2007

# Prism 2000 XP

**Open gamma camera system with large field detectors**



## Technique

This complete reconditioned camera uses the original components, the Odyssey computer and -software. Please gather the computer and software information details from the added brochure.

## Variety Of Use

The special construction and the open architecture combined with extremely small space requirement result in a camera system for all standard evaluations:

- Minimal distance between detector and patient body because of body contouring for Whole Body and SPECT examinations
- Excellent image quality
- Excellently suitable to perform all types of nuclear medicine studies
- High patient throughput
- An additional upgrade from **Prism 1000** to **Prism 2000** is possible at the customer site



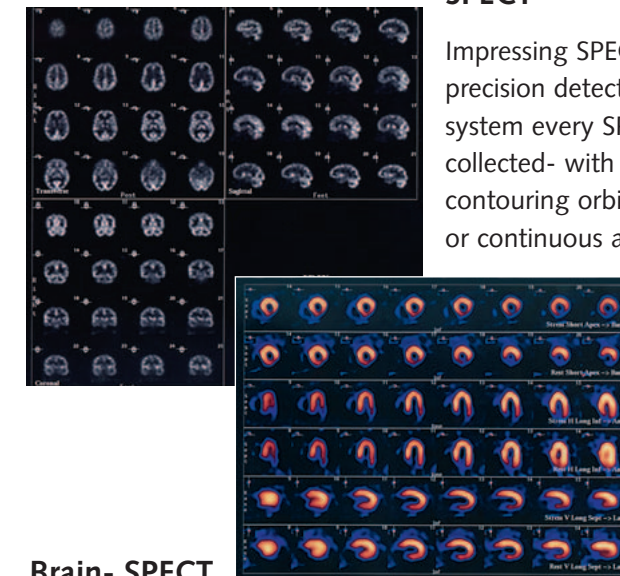
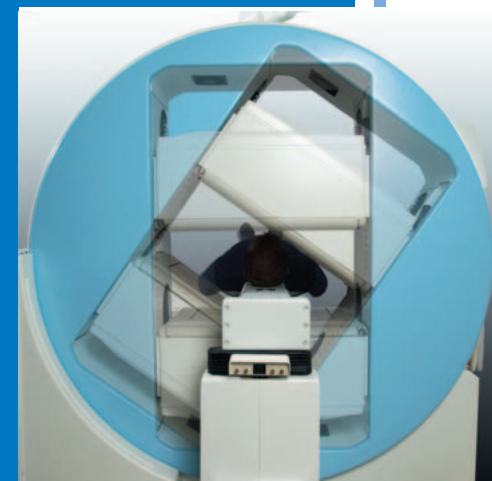
## Automatic Function Procedures

The detector position follows automatically the body contours of the patient because of the **Prismath™** function. By this function the detector distance can be reduced to a minimum. Operators achieve with it first-class SPECT- and whole body images at short preparation times.

## High Patient Comfort

Qualitatively high-grade patient table with high comfort and functional using:

- Up to 159 kg (350 lb.) body weight
- Up to 198 cm (78 inch) body height
- Low absorption
- Anatomic designed layer and shape of the patient table allows
- the patient comfort and relax lying
- Comfortable patient restraints for undisturbed acquisition



## Multifunctional Gantry Applications

### Whole Body Images

With the dual head detectors of the **Prism 2000 XP™** the anterior and posterior can be done at the same time which reduces the imaging time and the patient throughput can be higher.

Also the movement artefacts are reduced.

### SPECT

Impressing SPECT-quality because of precision detectors: With this camera system every SPECT-Study can be collected- with circular or body contouring orbits, "Step and Shoot" or continuous acquisition.

With this dual-head system **Prism 2000Plus™** a SPECT examination subsequent followed by a whole body examination is acceptable for a patient.

### Brain- SPECT

The smaller part of the patient pallet in the head area allow closer acquisitions. Special layering and fixation tools are available.

### Further Imaging Techniques

The swivelled detectors are offering images in upright/sitting position or in any other tilt angle.

